

Specifications

MODEL	ALF250	ALF350	ALF450	ALF650	ALF800	ALF1100
Dry Max. (lbs.)	250	350	450	650	800	1100
CFM	6500	10000	15000	20000	25000	40000
Screen Area (sq.ft)	21	30	45	68	83	130
Ø A	1120	1120	1270	1625	2540	1625x2
B	1850	2250	2600	3000	3100	3000
Ø C	650	650	800	1200	1600	1200
D	550	610	760	900	1270	1797
E	850	950	1095	1400	1270	1400
F	865	1165	1335	1450	1630	1450

Standard Features :

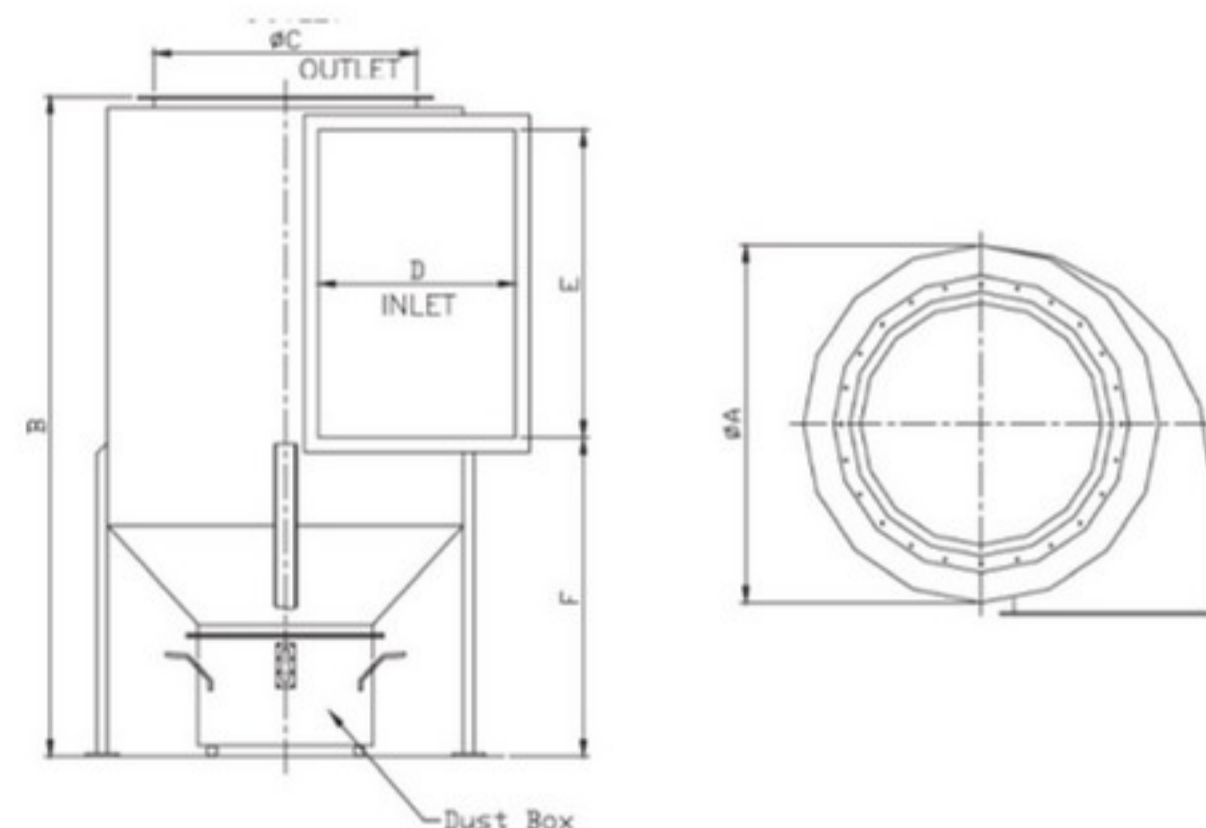
- Dry lint filter type
- Timer control
- Automatic operation with dryers
- Heavy duty construction with 3 layers rust proof paint
- Fire suppression system
- Automatic cleaning
- Voltage: 220V./50Hz./1ph

Specification and Design subject to change without notice
Additional options : Consult factory or distributor

ALF

Series

ALF 250
ALF 350
ALF 450
ALF 650
ALF 800
ALF 1100



ACCURATE TECHNOLOGIES CO.,LTD

Bangkok,Thailand Phone : +66(0)2740-5511 (Auto) Fax : +66(0)2740-5522,2740-5533

www accuratethai.com Email : sales@accuratethai.com

Automatic Lint Filter