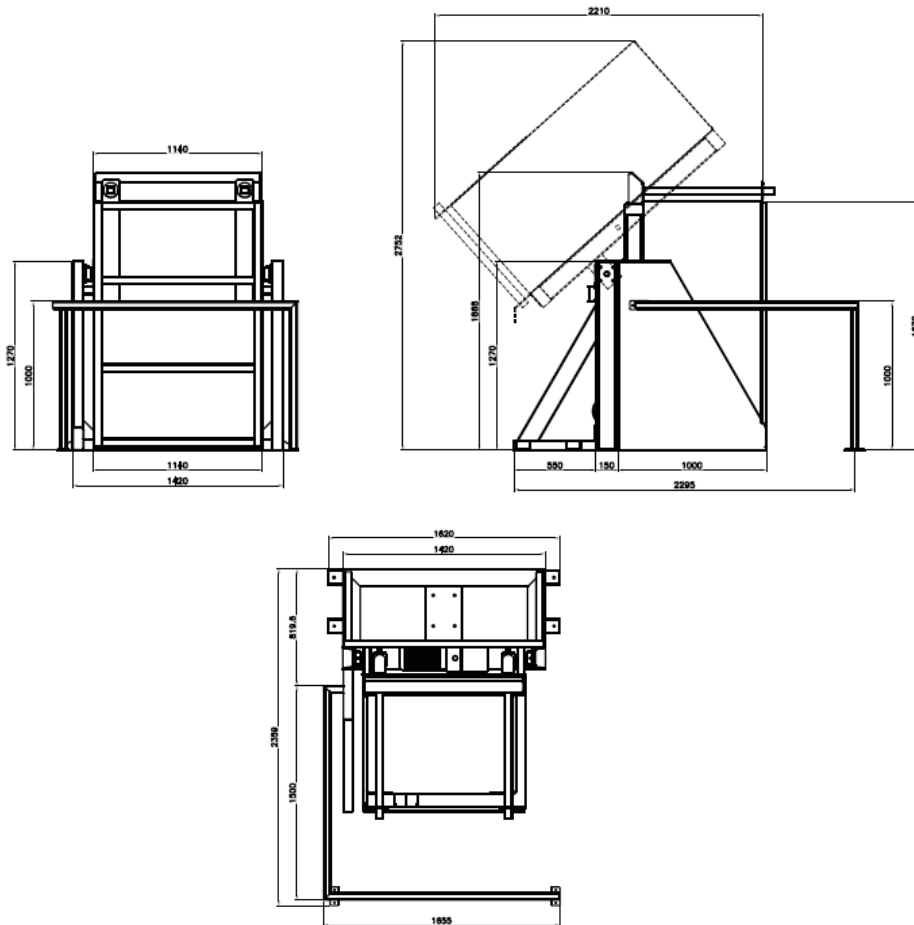


Automatic
Trolley Tipper

SPECIFICATION

MODEL	Matri	US	TROLLEY TIPPER
Capacity :			
Maximum Capacity	kg.	lbs.	1500 (3306.9)
Overall Dimensions :			
Machine Width	mm.	inch.	2359 (92.87)
Machine Depth	mm.	inch.	1620 (63.77)
Machine Height	mm.	inch.	2752 (108.34)
Drive System :			
Hydraulic Pump Motor	kW	HP	2.2 (3)
Power System :			
Voltage	V/ Ph/ Hz		220 / 380 / 415 V / 50 Hz / 3 Ph 208 – 220 / 440 / 460 V / 60 Hz / 3 Ph



UKAS
MANAGEMENT
SYSTEMS
043
ISO 9001

ISO 9001 : 2015



UKAS
MANAGEMENT
SYSTEMS
043
ISO 14001

ISO 14001 : 2015



ISO 13485:2016
UICC

ACCURATE TECHNOLOGIES CO., LTD.

Bangkok, Thailand Phone : +66(0)2740-5511 (Auto) Fax : +66(0)2752-2773

Website : www.imagelaundrysystems.com Email : sales@accuratethai.com

Rev. 2019-000